

Armored Dispatching Cable



Description:

Connector shape	SC/FC/ST/LC/MU/MTRJ/E2000(according to the clients require)
Sheath color	Blue
Type	4,6,8,12
FO Type	SM
Sheath material	Flame-resistant PVC(LSZH)

Features:

- Using stainless steel flexible tube to protect optical fiber, make sure no damage to it.
Prevent the destroy by improper twist ,high resistance of tensile strength, pressure, and mouse bite.
 - With the strong reel to take up the line ,convenient for movement and construction. A twofold braking manner to prevent from the damage during construction.
 - No damage to optical fiber during deploying.
 - PVC coating is easily identified with 12 standard colors, and mated with solid splitter.
- The output/input connectors are optional with various connectors complying with international standard, such as FC/SC/ST/MU/LC.

Configuration:

- 4-12 cores ϕ 0.6mm Tight Buffer Fiber with all chromatogram (SM,MM<50/125,62.5>OM2, OM3,G655, resisting slightly curved fiber) + Kevlar + stainless steel flexible hose+ stainless steel weaving(increase the ability of torsion resistant; prevent fiber from the damage of torsional stress from outside)+jacket(various materials to be chosen).

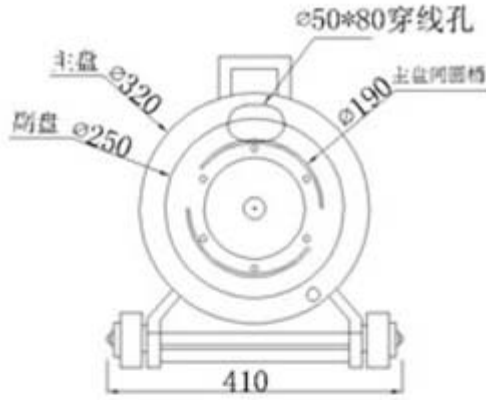
Applications:

- Live broadcasting transmission
- National defence communication
- Engineering salvage
- Allocation in CO

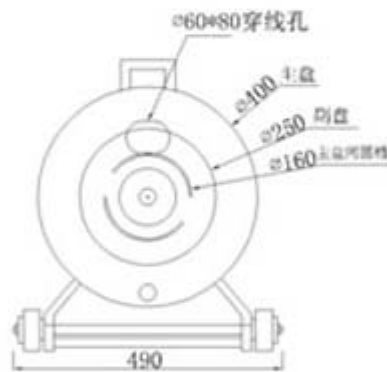
Specifications:

Type		SM/MM			
Connection Mode		PC	UPC	APC	
Connector shape		FC/SC/ST/MU/LC/MT-RJ/E2000			
Repeatability		$\leq 0.1\text{dB}$			
Insert Loss		$\leq 0.2\text{dB}$	$\leq 0.2\text{dB}$	$\leq 0.2\text{dB}$	
Return Loss		$\geq 45\text{dB}$	$\geq 50\text{dB}$	$\geq 60\text{dB}$	
Vibrancy Capacity		$\leq 0.2\text{dB}$			
Interchangeability		$\leq 0.2\text{dB}$			
Pressure Resistance		3000N			
Operating Temperature		$-40^{\circ}\text{C}\sim+85^{\circ}\text{C}$			
Quantity of fibers		4	6	8	12
Tensile Resistance	Branch Conduits	200N			
	Main Cord	800N			
OD of Cable	Branch Cord	$2.85\text{mm}\pm 0.1\text{mm}$			
	Main Cord	6.5mm	6.5mm	7.5mm	7.5mm
Length (M)		60/100/150/300/500			

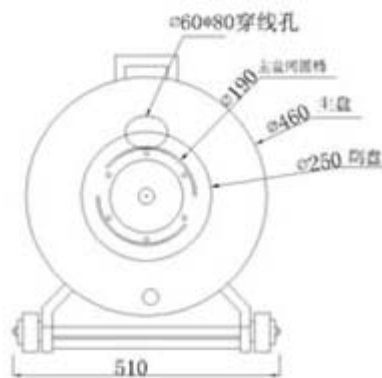
Appropriate Length of Each Type:



- S-1: length**
- 5.0-----100 meters
 - 6.5-----60 meters
 - 7.5-----60 meters



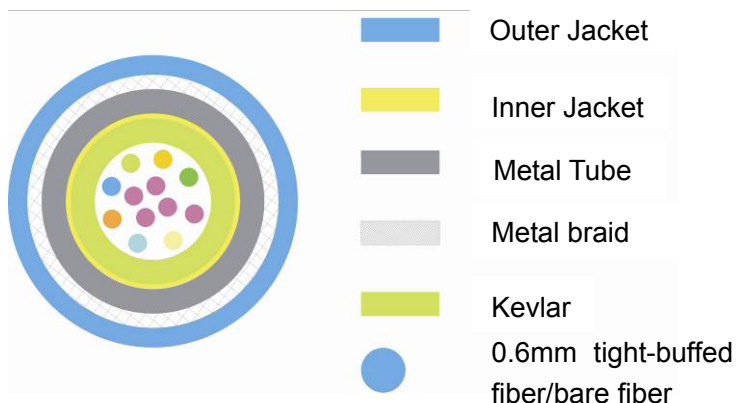
- M-1: length**
- 5.0-----300 meters
 - 6.5-----150 meters
 - 7.5-----150 meters



- B-1: length**
- 5.0-----500 meters
 - 6.5-----300 meters
 - 7.5-----300 meters

4/6/12 Fiber Optic Cores Armored Cable

1. Struction:



2. Applications:

- Ideal for use in vertical cabling of buildings and LAN;
- Ideal for use in tails of backbone network, and connect from outdoors to indoors directly;
- Ideal for use in connecting equipments, fix standard fiber to the linker;

3. Features:

- Convenience for connection and construction
- High intensity and light weight
- Provide UV protection, waterproof, and mould proof, no cleft under stress, adapt to the environment for high fire rating

4. Specifications:

Item	Units	Single Mode	Multimode	
Core/Mode Diameter	μm	9.2±0.4μm@1310nm 10.4±0.8μm@1550nm	50±2.5μm	62.5±2.5μm
Cladding Diameter	μm	125±1μm	125±1μm	125±1μm
Max. Attenuation	dB/km	0.4dB/km@1310nm 0.3dB/km@1550nm	3.5dB/km@850nm 1.5dB/km@1300nm	3.5dB/km@850nm 1.5dB/km@1300nm
Operating temperature	℃	-40℃~+85℃		
Outer diameter	mm	4 cores	6.4±0.10mm	
		6 cores	6.4±0.10mm	
		12 cores	7.4±0.10mm	
Net weight	kg/km	85		
Allowable bending radius	(mm)	Dynamic 15D; Static 10D		
Allowable tensile	(N)	800		
Crush resistant	N/100mm	3000		